

4

3

2

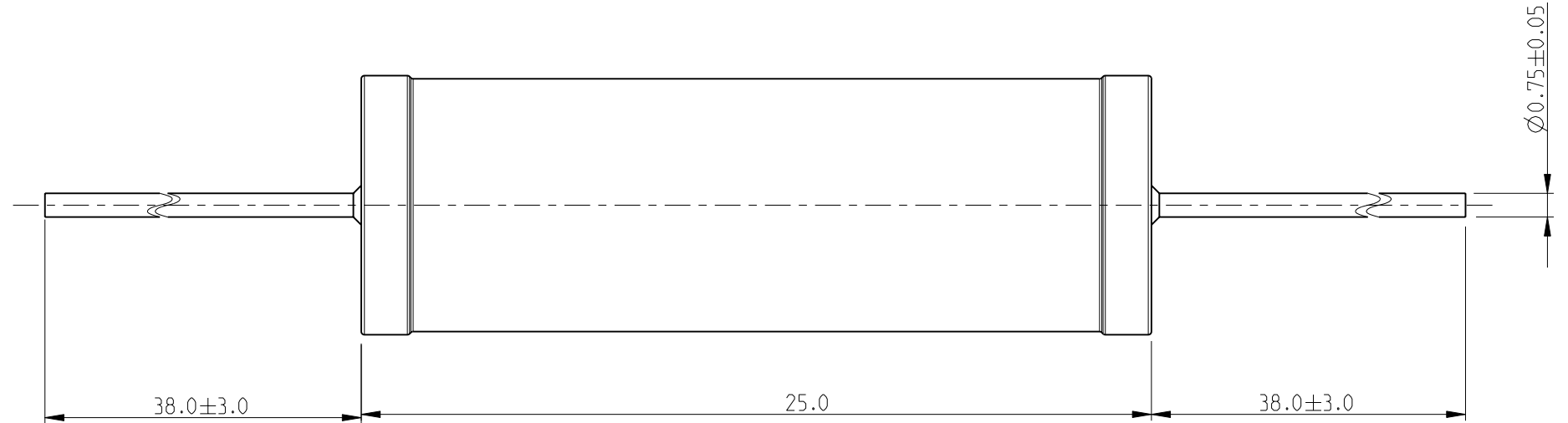
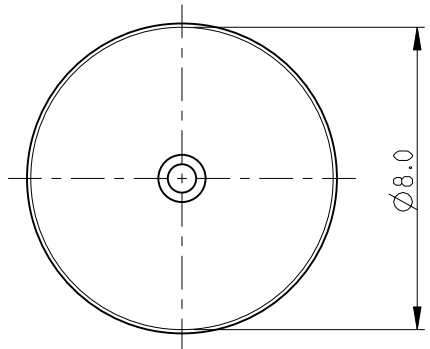
1

THIS DRAWING IS UNPUBLISHED. RELEASED FOR PUBLICATION 2008

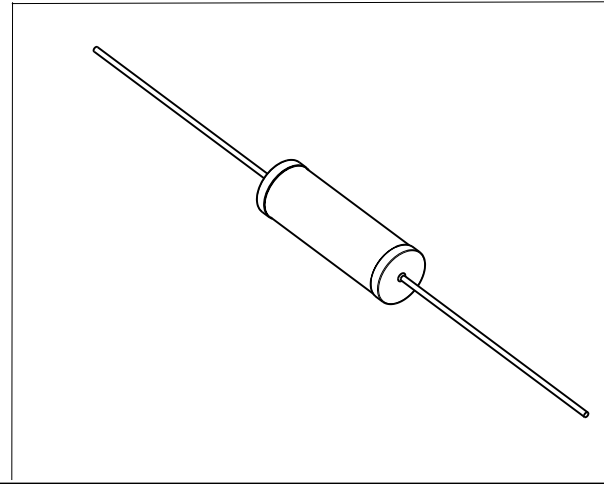
© COPYRIGHT 2008 BY TYCO ELECTRONICS CORPORATION. ALL RIGHTS RESERVED.

| LOC | DIST | REVISIONS   |             |            |       |
|-----|------|-------------|-------------|------------|-------|
| P   | LTR  | DESCRIPTION | DATE        | DWN        | APVD  |
| E   | B    | BA          | NEW RELEASE | 01JUNE2010 | PT JC |

FOR FURTHER INFORMATION SEE DATA SHEET FOR  
SERIES ROX, FLAME-PROOF POWER METAL OXIDE FILM RESISTORS



RoHS Compliant



|   |  |  |  |  |  |
|---|--|--|--|--|--|
| <small>THIS DRAWING IS A CONTROLLED DOCUMENT FOR TYCO ELECTRONICS CORPORATION<br/>IT IS SUBJECT TO CHANGE AND THE CONTROLLING ENGINEERING ORGANIZATION<br/>SHOULD BE CONTACTED FOR THE LATEST REVISION.</small> |  | DWN 01JUNE2010<br>PARUSURAM T  |  | Tyco Electronics Corporation<br>Dorcan, Swindon, SN3 5HH             |  |
| DIMENSIONS:<br>mm   |  | TOLERANCES UNLESS OTHERWISE SPECIFIED:<br>0 PLC ±0.2<br>1 PLC ±0.1<br>2 PLC ±-<br>3 PLC ±-<br>4 PLC ±-<br>ANGLES ±5° |  | NAME<br>FLAME-PROOF POWER METAL OXIDE FILM RESISTORS<br>SERIES ROX5S |  |
| MATERIAL -  |  | FINISH -   |  | SIZE A3 CAGE CODE 00779 DRAWING NO C-1625893 RESTRICTED TO -         |  |
| CUSTOMER DRAWING  |  |  |  | SCALE 5:1 SHEET 1 OF 1 REV BA  |  |